


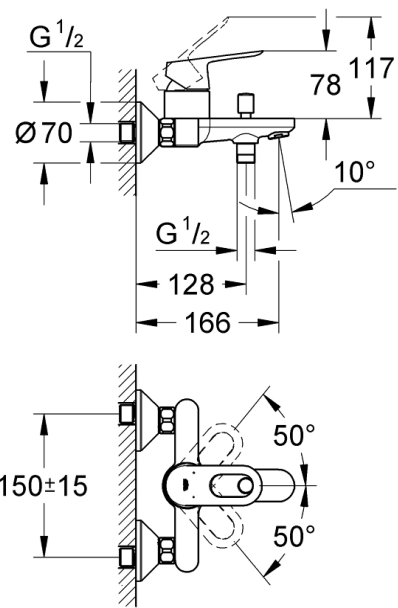


PROJECT		REF		REV	ITEM CODE	
LOCATION		DATE			PAGE	

## SANITARY WARE SPECIFICATION SHEET

Item Descriptions	GROHE (Germany) "BauLoop" Chrome plated single-lever bath & shower mixer 1/2"
Dimensions	L166 x W150 x H117 mm
Model	23341000
Finish	Chrome Plated
Country of origin	Germany
Manufacturer	GROHE Limited
Supplier	Acme Sanitary Ware Co. Ltd Mr. Eric Wong/ Mr. Don Yuen
Contact Tel/Fax	(852) 2388-7171 / (852) 2710-8012
E-mail	acme@acmesanitary.com.hk
Website	www.acmesanitary.com.hk

Illustration/ Drawing

- "BauLoop"**  
**Single-lever bath/shower mixer 1/2 "**
- wall mounted
  - metal lever
  - GROHE Longlife 46 mm ceramic cartridge
  - GROHE Long-Life Shine durable sparkling sheen
  - adjustable flow rate limiter
  - automatic diverter: bath/shower
  - spout with mousseur
  - shower bottom outlet 1/2" with integrated non return-valve
  - S-unions
  - metal wall escutcheon
  - protected against backflow
  - optional temperature limiter (46 308 000)

Note:

\* All information of the above is for the reference only. No prior notice is made if any changes.



水務署  
Water Supplies Department

總部 Headquarters

香港灣仔士打道七號入境事務大樓 48 樓

Tower, 7 Gloucester Road, Wan Chai, Hong Kong



本署檔號  
Our ref.  
來函檔號  
Your ref.

023 T/J(665/2023)

電話  
Tel. :  
傳真  
Fax : 2824 0578

9 October 2023



### Approval of "GROHE" Bath/Shower Mixer (General Acceptance No. C20230743)

Your E-Application [file-id: ETJ-GA-20230626-67] dated 27 June 2023 and subsequent submissions received by this department up to 14 September 2023 refer.

Having considered the test report ref. 222320PC220304B issued on 13 September 2023 by Fugro Technical Services Limited, this Authority accepts that the fitting described below complies with, and its use when correctly installed does not contravene, the Waterworks Ordinance and Regulations.


**Name of Manufacturer:** Grohe AG

**Country of Origin:** Thailand

**Brand:** Grohe

**Details of Fitting:** 1/2" Single lever bath & shower mixer

**Model:** 23341XXX  
(where "XXX" denotes the variation in finishes)

**Body Markings:** 

**Expiry Date:** 8 November 2027



This Authority hereby permits the use of the above fitting in fresh water plumbing systems subject to full adherence to Waterworks installation requirements. In particular, you are required to draw your customers' attention to the following requirement-

"The cold water supply to the fitting shall be drawn from the same source that supplies the hot water apparatus so as to provide a balanced pressure and to obviate the risk of scalding in the event of a restriction or failure in the water supply." AND

"The shower head or handspray should not be placed in submerged conditions and should be securely fixed to the original position after use."

A condition of this acceptance is that the fitting to be installed shall be replicas of the sample as certified by the testing agent mentioned above and without modifications. This acceptance may be withdrawn at any time if the standard of the fitting installed fails to meet that of the approved sample or if the fitting is found to be unsuitable for use in fresh water plumbing systems.

This acceptance is only applicable to the main body of the fitting, unless otherwise specified.

For the use of the fitting in any project, the General Acceptance Number of this letter must be quoted as a means of identification of acceptance of the fitting by this Authority.

Should you have any enquiries, please contact our Engineer Ms Winnie LO at tel. no. 3583 4086.

Yours faithfully,



(Terry KUNG)

for Director of Water Supplies

Encl.

c.c. WSD 3321/1/82 ] - without catalogue  
ME/MC ] - with soft copy only